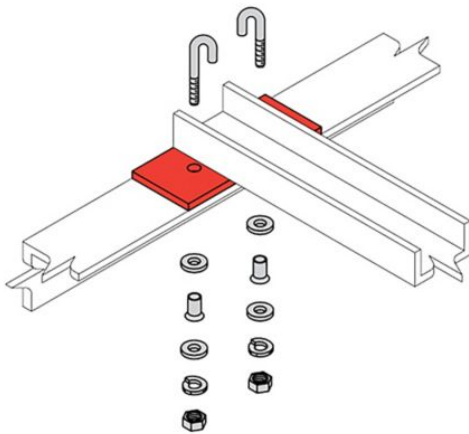


Eaton SB2109FB

Catalog Number: SB2109FB

Eaton B-Line series runway accessories, Used to secure cable runway to object, Provides 2-1/2 (63mm) clearance, Runway stand-off kit, A36 structural steel, Flat black powder coat

General specifications



Product Name	Catalog Number
Eaton B-Line series runway accessories	SB2109FB
UPC	Product Length/Depth
799038335948	4 in
Product Height	Product Width
1.5 in	1.25 in
Product Weight	Certifications
2.2 lb	UL Listed

Product specifications

Special features

Provides 2-1/2 (63mm) clearance

Type

Runway stand-off kit

Material details

Flat black powder coat A36 steel

Application

Used to secure cable runway to object

Resources

Brochures

[Redi-Rail runway brochure](#)

Catalogs

[Cable runway and accessories section of datacomm catalog](#)

Specifications and datasheets

[Eaton Specification Sheet - SB2109FB](#)



Eaton Corporation plc
Eaton House
30 Pembroke Road
Dublin 4, Ireland
Eaton.com
© 2023 Eaton. All Rights Reserved.

Eaton is a registered trademark.

All other trademarks are property of their respective owners.



[Eaton.com/socialmedia](https://www.eaton.com/socialmedia)